

# NTT / IOWN

Dr. Yosuke Aragane

Alternate Director of  
Vice President of NTT IOWN Development Office



# NTT Corporation / IOWN

# - Outline



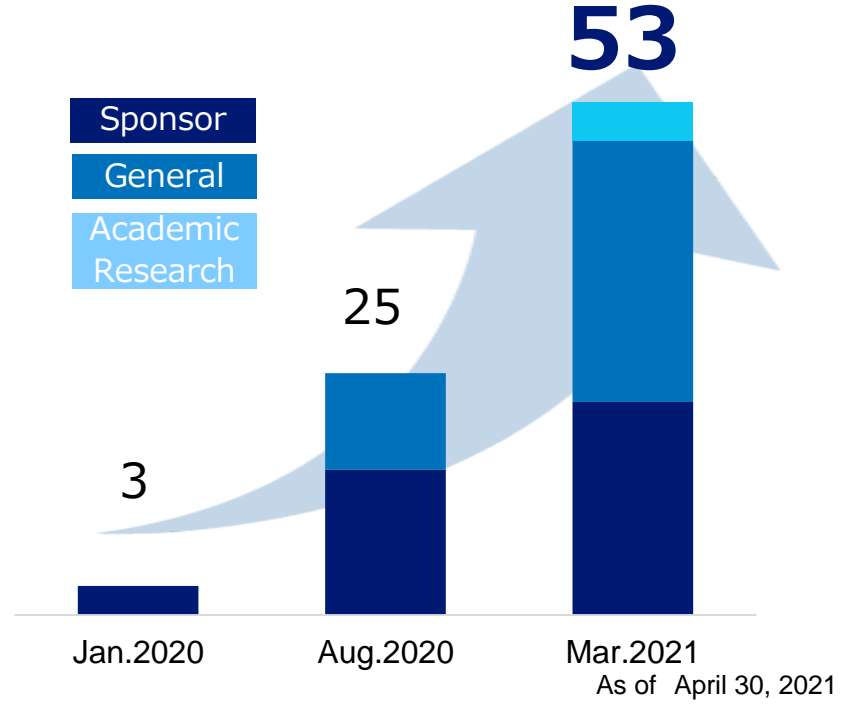
### IOWN 2030 Goals

- Lower power consumption by **100x**
- Higher transmission capacity by **125x**
- Lower end-to-end latency by **200x**

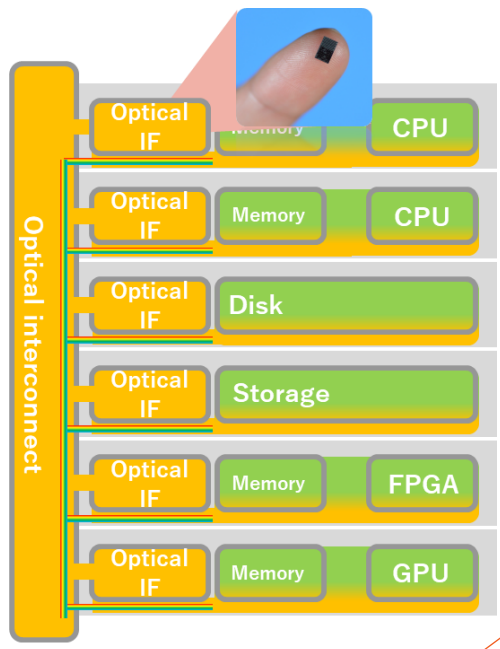
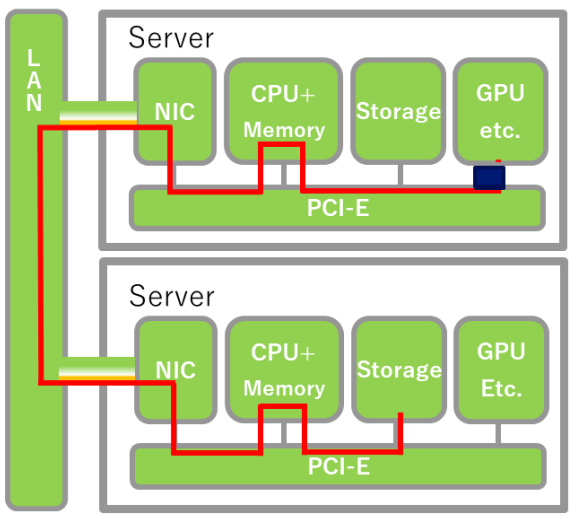
## Achievements and the goal of this year



## Number of members



# NTT Corporation / IOWN - Relation NL



■ : photonics ■ : electronics

Photonic disaggregated computing

Open APN System Reference Architecture and Interfaces

